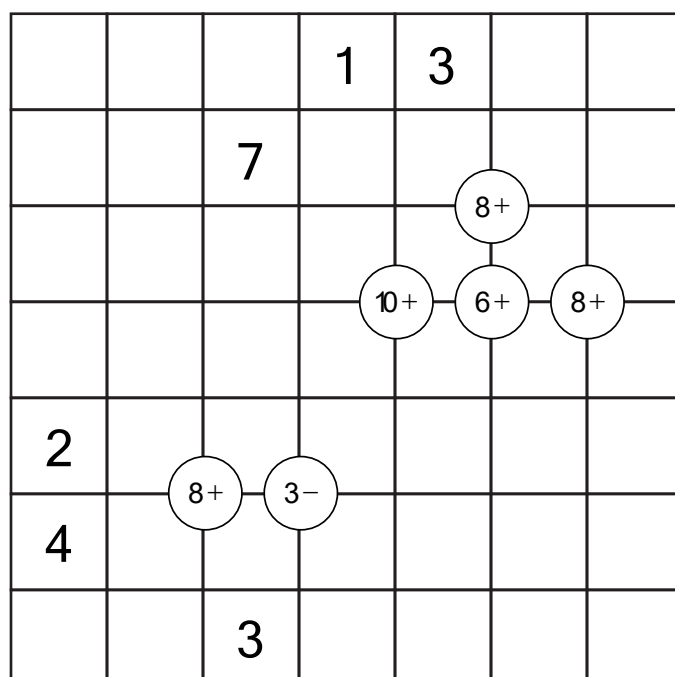
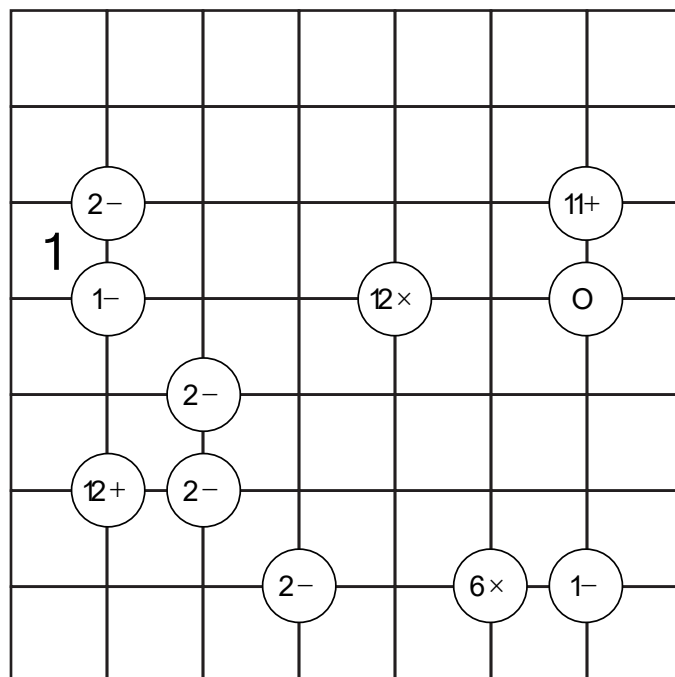


7 by 7 Mathrix Puzzles

Place the number 1 to 7 such that each row and column contains the digits 1 to 7. Circles with conditions are placed on some intersections and are meant for the 2 pairs of diagonally adjacent cells. This can be the sum (+), difference (-), product (\times), quotient (\div), only odd (O) or only even (E).



Answers

Place the number 1 to 7 such that each row and column contains the digits 1 to 7. Circles with conditions are placed on some intersections and are meant for the 2 pairs of diagonally adjacent cells. This can be the sum (+), difference (-), product (\times), quotient (\div), only odd (O) or only even (E).

3	1	5	2	6	7	4
2	3	1	7	5	4	6
1	4	6	3	2	5	7
5	2	7	6	4	1	3
6	5	4	1	7	3	2
7	6	3	4	1	2	5
4	7	2	5	3	6	1

6	4	5	1	3	7	2
1	5	7	2	6	3	4
3	1	4	6	5	2	7
7	3	2	5	4	1	6
2	7	6	4	1	5	3
4	2	1	3	7	6	5
5	6	3	7	2	4	1